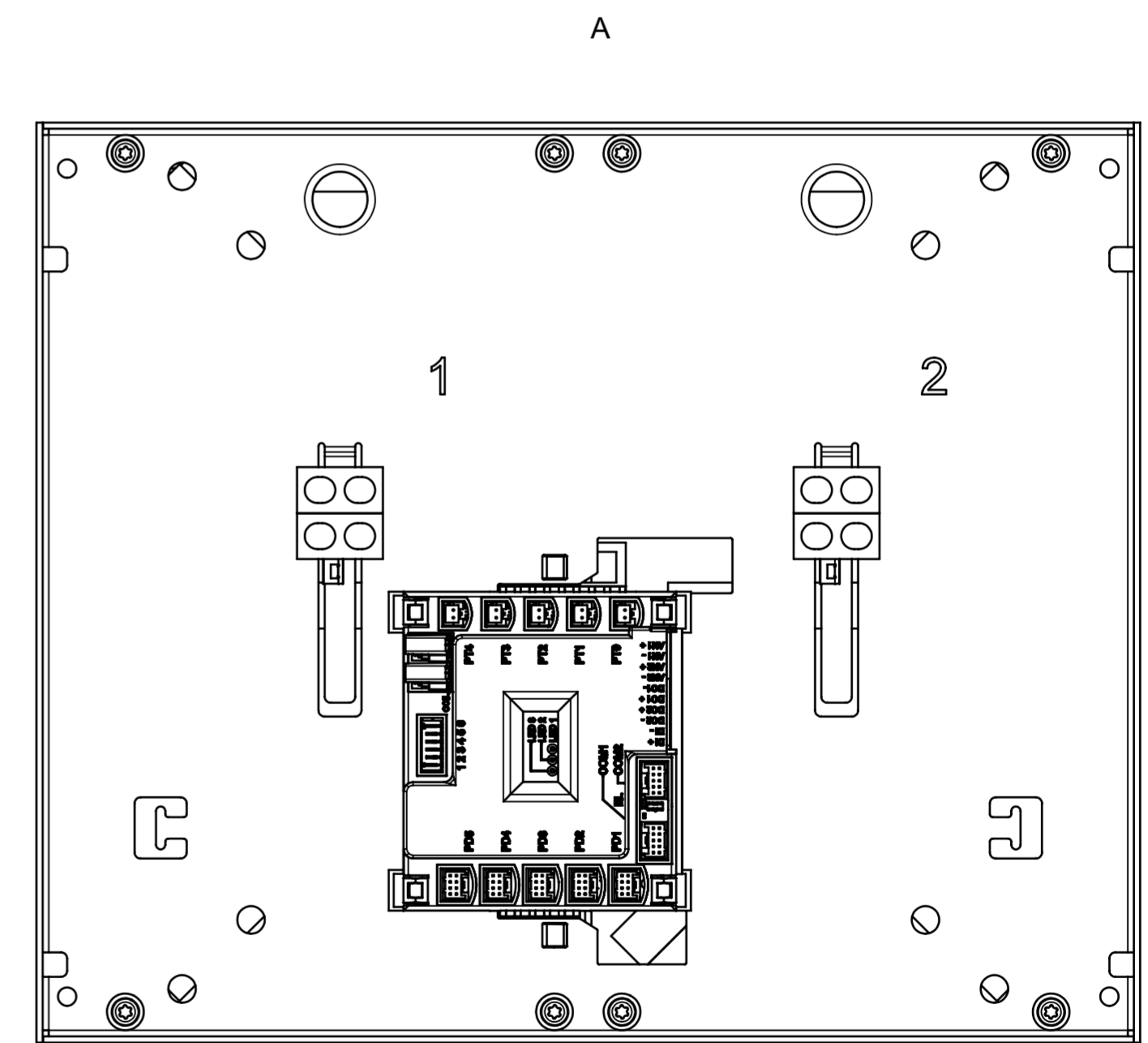
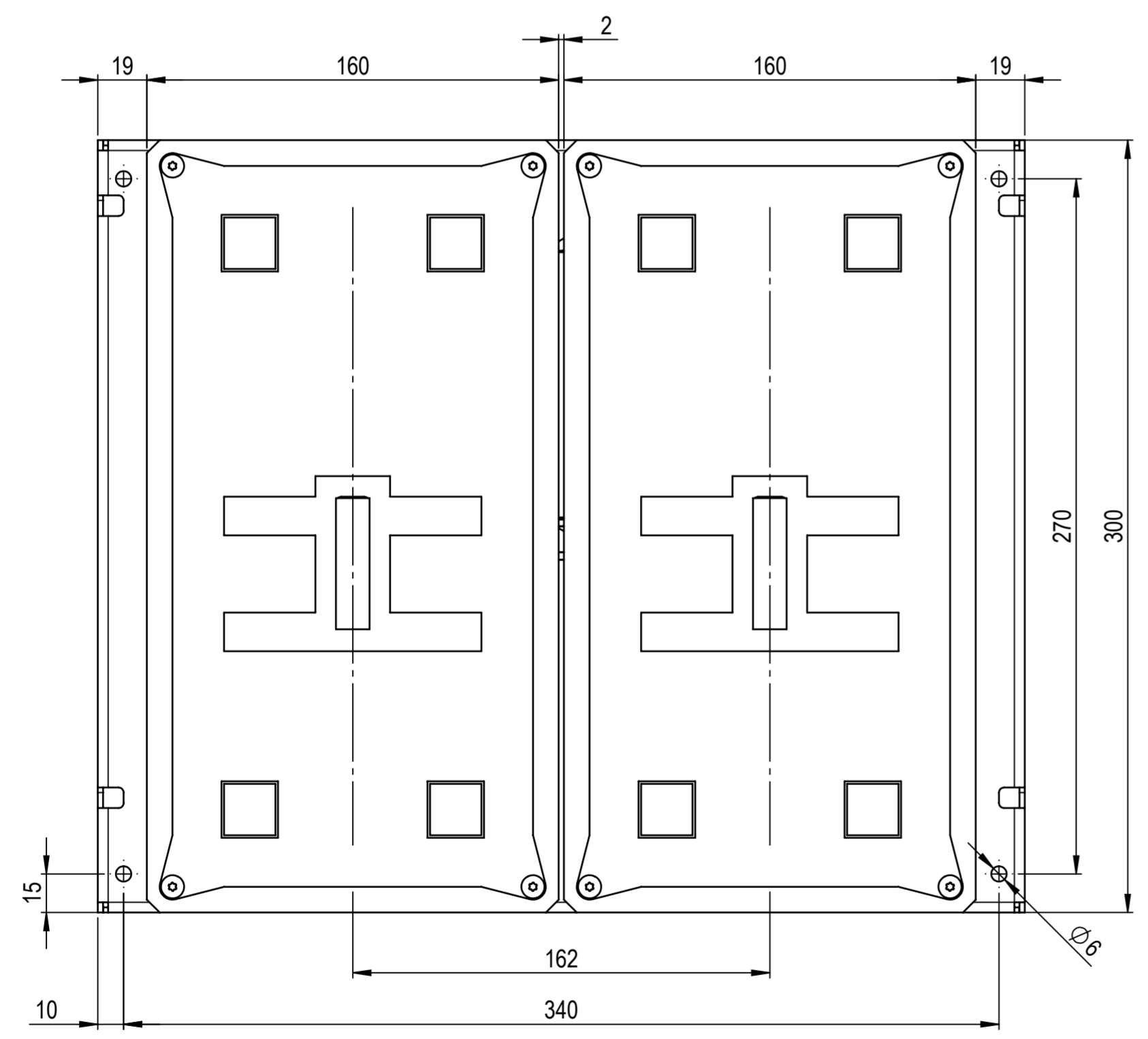
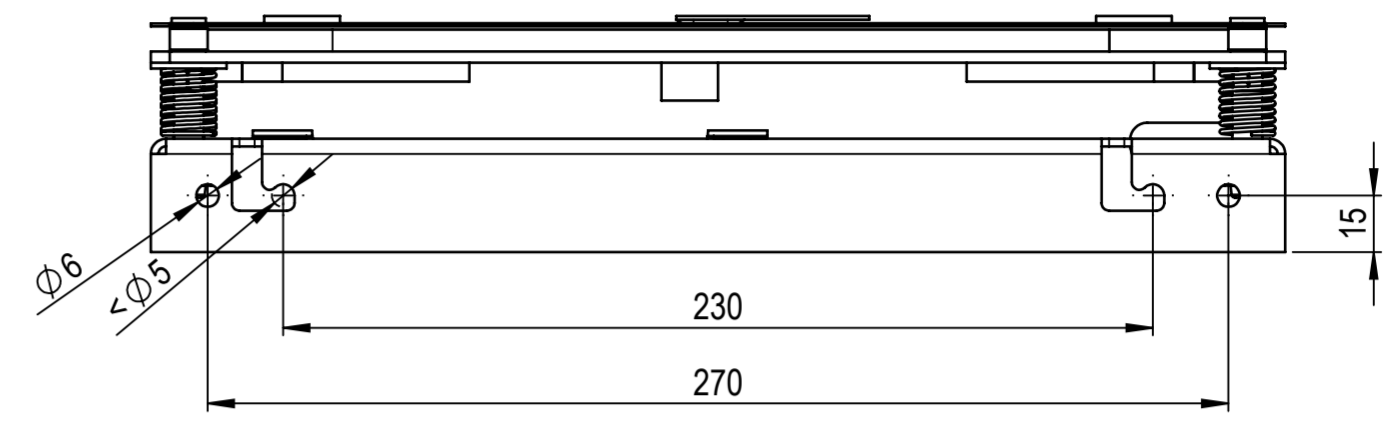
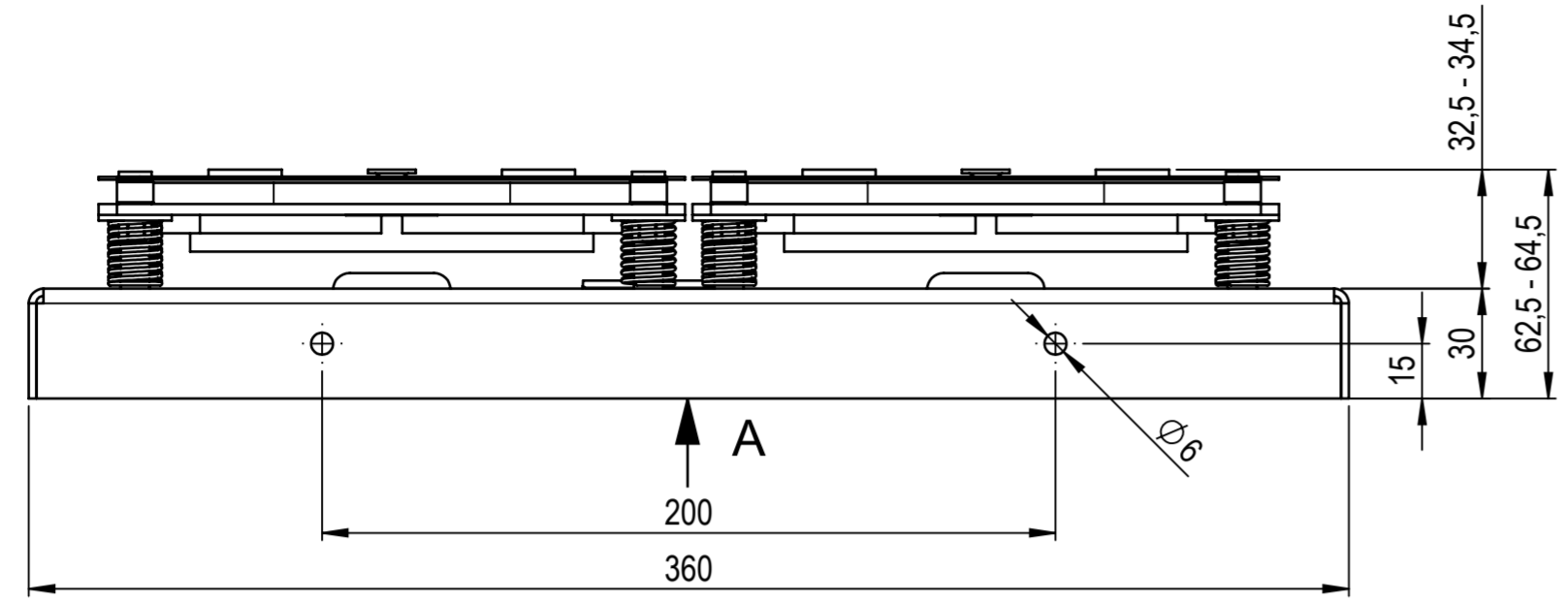


document id.: C000028201-001-01-A / state: 230 - released
 view date: 2023-11-09 11:52:31 / user: WINKLERA
 item id.: 78.98202.672-00/00A / SAP material state: 2A



This document is exclusively committed to you for the agreed purpose. Any kind of duplication, utilization or communication of its content is prohibited, if not expressly conceded otherwise. Violators are committed to pay compensations. Any claims of existing or future property rights remain unaffected.						Blank No.	EN Mat.No.	Scale Unit mm		
						Material		Scale 1:2		
						Surface Texture	ISO 1302			
						General Tolerances	ISO 2768-m			
1	W000003681	2023-03-01	CAD	Date	Name	Designation				
0	W000000858	2020-12-07	Creat.	01.03.2023	ESTERASE	78.98202.672				
Cha.	Information No.	Date	Proc.	22.03.2023	ESTERASE	EGO Coil Car. 2R150x290/DT/G360/L/SIM				
F.Rel.			Rel.	28.03.2023	CAPELLAE					
						document id.	Stat.	Sheets	Doc.	Ex.Doc.
						C000028201-001-01-A	F			
Origin			Repl.for			Repl.by			Ref.	